



Power Chokes – Vertical Mount

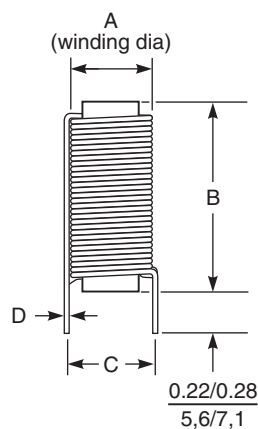


The Coilcraft PCV power chokes are low cost power inductors whose simple design provides rugged reliability and performance. They feature 130°C class insulation and are available in a wide range of standard values.

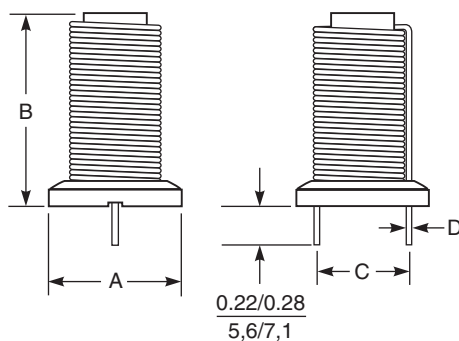
The open core construction provides the highest saturation current available in a low cost power choke. The PCV-1 Series incorporates a plastic mounting header for maximum lead protection and consistency. The PCV-2 Series uses a ferrite bobbin core to provide the highest possible inductance at the lowest cost.

Coilcraft **Designer's Kit P405** contains samples of the part numbers shown in bold from the PCV-0 and PCV-2 Series. Contact Coilcraft or visit <http://order.coilcraft.com> to purchase on-line.

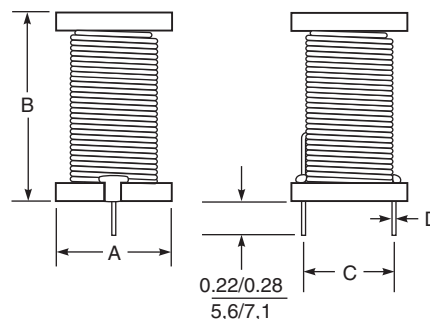
PCV-0 Series



PCV-1 Series



PCV-2 Series



Dimensions are in $\frac{\text{inches}}{\text{mm}}$

Terminations: Tin-silver over copper
See last page for packaging information.

Coilcraft[®]

Specifications subject to change without notice.
Please check our website for latest information.

Document 135-3 Revised 04/07/11

1102 Silver Lake Road Cary, Illinois 60013 Phone 847/639-6400 Fax 847/639-1469
E-mail info@coilcraft.com Web <http://www.coilcraft.com>



Power Chokes – Vertical Mount

Part number	Inductance ¹ (μ H)	I _{rms} ² (A)	DCR max (Ohms)	A max (in/mm)	B max (in/mm)	C \pm 0.015/0,38 (in/mm)	D \pm 0.004/0,10 (in/mm)
PCV-0 Series							
PCV-0-102-25L	1.0 \pm 15%	21.8	0.002	0.60/15,2	0.68/17,3	0.42/10,7	0.068/1,73
PCV-0-102-10L	1.0 \pm 15%	16.7	0.003	0.50/12,7	0.75/19,1	0.42/10,7	0.054/1,37
PCV-0-332-10L	3.3 \pm 15%	12.7	0.005	0.50/12,7	1.0/25,4	0.42/10,7	0.054/1,37
PCV-0-472-03L	4.7 \pm 15%	7.4	0.021	0.51/13,0	0.75/19,1	0.42/10,7	0.035/0,89
PCV-0-472-05L	4.7 \pm 15%	8.9	0.012	0.50/12,7	0.75/19,1	0.42/10,7	0.042/1,07
PCV-0-472-10L	4.7 \pm 15%	11.9	0.012	0.50/12,7	1.0/25,4	0.42/10,7	0.054/1,37
PCV-0-472-20L	4.7 \pm 15%	16.4	0.004	0.53/13,5	1.2/30,5	0.42/10,7	0.068/1,73
PCV-0-103-03L	10 \pm 10%	5.9	0.023	0.50/12,7	0.75/19,1	0.42/10,7	0.035/0,89
PCV-0-103-05L	10 \pm 10%	7.1	0.017	0.50/12,7	0.75/19,1	0.42/10,7	0.042/1,07
PCV-0-103-10L	10 \pm 10%	11.8	0.015	0.52/13,2	1.0/25,4	0.42/10,7	0.054/1,37
PCV-0-103-20L	10 \pm 10%	17.0	0.006	0.75/19,1	1.8/45,7	0.60/15,2	0.075/1,91
PCV-0-153-03L	15 \pm 10%	6.8	0.025	0.50/12,7	1.0/25,4	0.42/10,7	0.035/0,89
PCV-0-153-10L	15 \pm 10%	9.8	0.020	0.52/13,2	1.0/25,4	0.42/10,7	0.054/1,37
PCV-0-223-03L	22 \pm 10%	7.4	0.035	0.50/12,7	1.0/25,4	0.42/10,7	0.035/0,89
PCV-0-223-05L	22 \pm 10%	8.9	0.023	0.50/12,7	1.0/25,4	0.42/10,7	0.042/1,07
PCV-0-223-10L	22 \pm 10%	13.0	0.015	0.66/16,8	1.3/33,0	0.42/10,7	0.060/1,52
PCV-0-273-05L	27 \pm 10%	7.1	0.024	0.50/12,7	1.0/25,4	0.49/12,5	0.042/1,07
PCV-0-333-12L	33 \pm 10%	11.0	0.017	0.70/17,8	1.3/33,0	0.55/14,0	0.060/1,52
PCV-0-473-03L	47 \pm 10%	4.3	0.050	0.55/14,0	1.0/25,4	0.42/10,7	0.035/0,89
PCV-0-473-05L	47 \pm 10%	6.0	0.035	0.65/16,5	1.1/28,0	0.70/17,8	0.042/1,07
PCV-0-473-10L	47 \pm 10%	8.7	0.022	0.85/21,6	1.3/33,0	0.70/17,8	0.060/1,52
PCV-0-823-03L	82 \pm 10%	2.8	0.110	0.50/12,7	0.65/16,5	0.375/9,5	0.028/0,71
PCV-0-104-01L	100 \pm 10%	1.8	0.190	0.40/10,2	0.90/22,9	0.30/7,6	0.020/0,51
PCV-0-104-03L	100 \pm 10%	3.8	0.072	0.55/14,0	1.2/30,5	0.70/17,8	0.035/0,89
PCV-0-104-05L	100 \pm 10%	5.5	0.055	0.65/16,5	1.3/33,0	0.70/17,8	0.042/1,07
PCV-0-154-03L	150 \pm 10%	2.8	0.140	0.60/15,2	1.2/30,5	0.43/10,9	0.028/0,71
PCV-0-154-05L	150 \pm 10%	5.2	0.065	0.65/16,5	1.3/33,0	0.70/17,8	0.042/1,07
PCV-0-184-05L	180 \pm 10%	3.3	0.110	0.60/15,2	1.2/30,5	0.43/10,9	0.035/0,89
PCV-0-224-03L	220 \pm 10%	2.1	0.210	0.55/14,0	1.2/30,5	0.42/10,7	0.025/0,64
PCV-0-274-04L	270 \pm 10%	2.1	0.250	0.95/24,0	0.72/18,3	0.71/18,0	0.030/0,76
PCV-0-274-10L	270 \pm 10%	3.6	0.160	1.1/28,0	1.0/25,4	0.72/18,3	0.038/0,97
PCV-0-394-03L	390 \pm 10%	3.0	0.250	1.1/28,0	1.0/25,4	0.72/18,3	0.035/0,89
PCV-0-394-05L	390 \pm 10%	3.1	0.190	1.1/28,0	1.0/25,4	0.72/18,3	0.038/0,97
PCV-1 Series							
PCV-1-152-15L	1.5 \pm 15%	18.2	0.003	0.65/16,5	0.90/22,9	0.42/10,7	0.068/1,73
PCV-1-182-10L	1.8 \pm 15%	18.2	0.006	0.65/16,5	1.1/27,9	0.42/10,7	0.054/1,37
PCV-1-182-15L	1.8 \pm 15%	19.3	0.003	0.65/16,5	1.1/27,9	0.42/10,7	0.068/1,73
PCV-1-472-03L	4.7 \pm 15%	7.5	0.021	0.62/15,7	0.85/21,6	0.42/10,7	0.035/0,89
PCV-1-472-05L	4.7 \pm 15%	9.1	0.012	0.62/15,7	0.85/21,6	0.42/10,7	0.042/1,07
PCV-1-472-10L	4.7 \pm 15%	11.8	0.012	0.62/15,7	1.1/27,9	0.42/10,7	0.054/1,37
PCV-1-103-03L	10 \pm 10%	6.0	0.026	0.63/16,0	0.85/21,6	0.42/10,7	0.035/0,89
PCV-1-103-05L	10 \pm 10%	7.1	0.020	0.62/15,7	0.85/21,6	0.42/10,7	0.042/1,07
PCV-1-103-10L	10 \pm 10%	10.9	0.013	0.63/16,0	1.1/27,9	0.42/10,7	0.054/1,37
PCV-1-153-10L	15 \pm 10%	11.8	0.020	0.70/17,8	1.4/35,6	0.42/10,7	0.060/1,52
PCV-1-223-03L	22 \pm 10%	5.5	0.035	0.62/15,7	1.1/27,9	0.42/10,7	0.035/0,89
PCV-1-223-05L	22 \pm 10%	6.9	0.023	0.62/15,7	1.1/27,9	0.42/10,7	0.042/1,07
PCV-1-223-10L	22 \pm 10%	10.4	0.018	0.70/17,8	1.4/35,6	0.42/10,7	0.060/1,52
PCV-1-473-03L	47 \pm 10%	5.3	0.050	0.65/16,5	1.1/27,9	0.42/10,7	0.035/0,89
PCV-1-473-05L	47 \pm 10%	6.3	0.033	0.90/22,9	1.2/30,5	0.70/17,8	0.042/1,07
PCV-1-473-10L	47 \pm 10%	8.2	0.022	0.90/22,9	1.4/35,6	0.70/17,8	0.060/1,52
PCV-1-104-03L	100 \pm 10%	3.4	0.072	0.90/22,9	1.3/33,1	0.70/17,8	0.035/0,89
PCV-1-104-05L	100 \pm 10%	4.9	0.055	0.90/22,9	1.4/35,6	0.70/17,8	0.042/1,07
PCV-1-184-03L	180 \pm 10%	2.8	0.150	0.63/16,0	1.2/30,5	0.42/10,7	0.028/0,71
PCV-1-304-05L	300 \pm 10%	3.4	0.160	1.1/27,9	1.0/25,4	0.70/17,8	0.038/0,97
PCV-1-394-05L	390 \pm 10%	3.0	0.190	1.1/27,9	1.0/25,4	0.70/17,8	0.038/0,97

Specifications subject to change without notice.
Please check our website for latest information.

Document 135-2 Revised 04/07/11

1102 Silver Lake Road Cary, Illinois 60013 Phone 847/639-6400 Fax 847/639-1469

E-mail info@coilcraft.com Web <http://www.coilcraft.com>

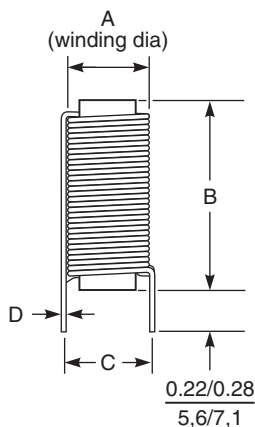


Power Chokes – Vertical Mount

Part number	Inductance ¹ ±10% (µH)	Irms ² (A)	DCR max (Ohms)	A max (in/mm)	B max (in/mm)	C ±0.015/0,38 (in/mm)	D ±0.004/0,10 (in/mm)
PCV-2 Series							
PCV-2-103-05L	10	10.5	0.015	0.61/15,49	0.83/21,08	0.42/10,67	0.042/1,07
PCV-2-103-10L	10	11.8	0.010	0.61/15,49	0.83/21,08	0.50/12,70	0.054/1,37
PCV-2-223-05L	22	7.6	0.020	0.61/15,49	0.83/21,08	0.42/10,67	0.042/1,07
PCV-2-223-10L	22	10.3	0.015	0.86/21,84	0.83/21,08	0.58/14,73	0.054/1,37
PCV-2-473-05L	47	5.0	0.035	0.70/17,78	0.83/21,08	0.48/12,19	0.038/0,97
PCV-2-473-10L	47	9.6	0.020	1.00/25,40	0.83/21,08	0.70/17,78	0.054/1,37
PCV-2-104-03L	100	4.4	0.080	0.84/21,34	0.83/21,08	0.58/14,73	0.031/0,79
PCV-2-104-05L	100	5.6	0.048	0.84/21,34	0.83/21,08	0.70/17,78	0.042/1,07
PCV-2-104-10L	100	10.1	0.032	1.05/26,67	1.10/27,94	0.88/22,35	0.054/1,37
PCV-2-184-05L	180	4.0	0.092	0.80/20,32	0.90/22,86	0.58/14,73	0.035/0,89
PCV-2-184-10L	180	8.0	0.048	1.44/36,58	1.10/27,94	1.05/26,67	0.054/1,37
PCV-2-224-05L	220	6.6	0.075	1.05/26,67	1.10/27,94	0.75/19,05	0.042/1,07
PCV-2-274-03L	270	4.3	0.130	1.00/25,40	0.83/21,08	0.75/19,05	0.035/0,89
PCV-2-274-05L	270	5.2	0.080	1.05/26,67	1.05/26,67	0.80/20,32	0.042/1,07
PCV-2-274-10L	270	7.2	0.060	1.50/38,10	1.10/27,94	1.08/27,43	0.054/1,37
PCV-2-394-05L	390	3.9	0.130	1.10/29,34	0.83/21,08	0.85/21,59	0.038/0,97
PCV-2-564-02L	560	2.6	0.270	0.80/20,32	0.90/22,86	0.57/14,48	0.028/0,71
PCV-2-564-06L	560	4.0	0.170	1.21/30,73	1.10/27,94	0.90/22,86	0.038/0,97
PCV-2-564-08L	560	7.0	0.090	1.50/38,10	1.43/36,32	1.08/27,43	0.054/1,37
PCV-2-684-01L	680	1.3	0.700	0.70/17,78	0.83/21,08	0.50/12,70	0.018/0,46
PCV-2-105-02L	1000	2.3	0.370	1.00/25,40	0.83/21,08	0.72/18,29	0.028/0,71

1. Tested at 15.75 kHz, 0.1 Vrms, with DC bias applied up to the Irms current.
2. Current that causes a 40°C temperature rise from 25°C ambient.
3. **Ambient temperature range:** -40°C to +85°C with Irms current
4. **Storage temperature range:** Component: -40°C to +125°C
Tray packaging: -40°C to +80°C
5. Electrical specifications at 25°C.
6. Parts in bold type are included in Coilcraft Designer's Kit P405.
Refer to Doc 362 "Soldering Surface Mount Components" before soldering.

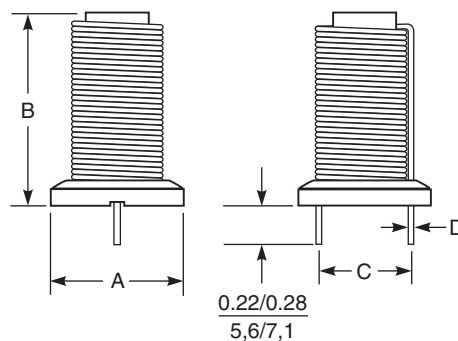
PCV-0 Series



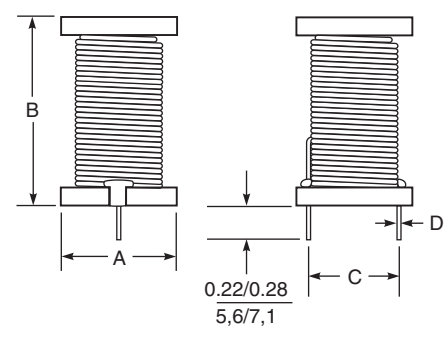
Dimensions are in $\frac{\text{inches}}{\text{mm}}$

Terminations: Tin-silver over copper
See last page for packaging information.

PCV-1 Series



PCV-2 Series



Coilcraft[®]

Specifications subject to change without notice.
Please check our website for latest information.

Document 135-3 Revised 04/07/11

1102 Silver Lake Road Cary, Illinois 60013 Phone 847/639-6400 Fax 847/639-1469

E-mail info@coilcraft.com Web <http://www.coilcraft.com>



Power Chokes – Vertical Mount

Tray and carton packaging

Part number	Parts tray	Maximum parts per carton	Part number	Parts tray	Maximum parts per carton	Part number	Parts tray	Maximum parts per carton
PCV-0-001-025L	49	245	PCV-0-224-03L	49	196	PCV-1-182-15L	49	196
PCV-0-001-10L	49	245	PCV-0-273-05L	49	196	PCV-1-184-03L	49	196
PCV-0-0018-03L	49	294	PCV-0-274-04L	49	245	PCV-1-223-03L	49	196
PCV-0-0018-15L	49	196	PCV-0-274-10L	25	100	PCV-1-223-05L	49	196
PCV-0-003.3-10L	49	196	PCV-0-300-10L	25	100	PCV-1-223-10L	49	147
PCV-0-003-03L	49	245	PCV-0-332-10L	49	196	PCV-1-304-05L	25	100
PCV-0-005-03L	49	245	PCV-0-333-12L	49	245	PCV-1-394-05L	25	100
PCV-0-005-10L	49	196	PCV-0-394-03L	49	245	PCV-1-472-03L	49	245
PCV-0-010-03L	49	245	PCV-0-394-05L	25	100	PCV-1-472-05L	49	245
PCV-0-010-05L	49	245	PCV-0-400-05L	25	100	PCV-1-472-10L	49	196
PCV-0-010-10L	49	196	PCV-0-472-03L	49	245	PCV-1-473-03L	49	196
PCV-0-015-03L	49	196	PCV-0-472-05L	49	245	PCV-1-473-05L	49	245
PCV-0-025-03L	49	196	PCV-0-472-10L	49	196	PCV-1-473-10L	49	245
PCV-0-025-05L	49	196	PCV-0-472-20L	49	196	PCV-2-100-05L	49	245
PCV-0-025-10L	49	147	PCV-0-473-03L	49	196	PCV-2-100-10L	25	100
PCV-0-030-05L	49	196	PCV-0-473-05L	98	392	PCV-2-103-05L	49	245
PCV-0-050-03L	49	196	PCV-0-473-10L	49	245	PCV-2-103-10L	49	245
PCV-0-050-05L	49	245	PCV-0-683-05L	49	245	PCV-2-104-03L	49	245
PCV-0-050-10L	49	147	PCV-0-823-03L	49	294	PCV-2-104-05L	49	245
PCV-0-100-03L	49	196	PCV-1-0018-15L	49	196	PCV-2-104-10L	49	245
PCV-0-100-05L	49	147	PCV-1-005-10L	49	196	PCV-2-105-02L	49	245
PCV-0-102-10L	49	245	PCV-1-010-03L	49	294	PCV-2-125-05L	49	245
PCV-0-102-25L	49	294	PCV-1-010-05L	49	245	PCV-2-184-05L	49	245
PCV-0-103-03L	49	245	PCV-1-010-10L	49	245	PCV-2-184-10L	25	100
PCV-0-103-05L	49	245	PCV-1-015-10L	49	147	PCV-2-223-05L	49	245
PCV-0-103-10L	49	196	PCV-1-025-03L	49	196	PCV-2-223-10L	49	245
PCV-0-103-20L	49	196	PCV-1-025-05L	49	196	PCV-2-224-05L	49	245
PCV-0-104-01L	49	245	PCV-1-025-10L	49	147	PCV-2-274-03L	49	245
PCV-0-104-03L	49	294	PCV-1-050-03L	49	196	PCV-2-274-05L	49	245
PCV-0-104-05L	98	392	PCV-1-050-10L	49	147	PCV-2-274-10L	25	100
PCV-0-125-05L	49	147	PCV-1-100-03L	49	196	PCV-2-300-03L	49	245
PCV-0-150-03L	49	196	PCV-1-100-05L	49	147	PCV-2-300-05L	25	100
PCV-0-153-03L	49	196	PCV-1-103-03L	49	245	PCV-2-300-10L	25	100
PCV-0-153-10L	49	196	PCV-1-103-05L	49	245	PCV-2-394-05L	25	125
PCV-0-154-03L	49	196	PCV-1-103-10L	49	196	PCV-2-400-05L	25	125
PCV-0-154-05L	49	245	PCV-1-104-03L	49	245	PCV-2-473-05L	49	245
PCV-0-180-05L	49	147	PCV-1-104-05L	49	245	PCV-2-473-10L	49	245
PCV-0-184-05L	49	196	PCV-1-125-05L	49	147	PCV-2-564-02L	49	245
PCV-0-223-03L	49	196	PCV-1-152-15L	49	245	PCV-2-564-06L	25	100
PCV-0-223-05L	49	196	PCV-1-153-10L	49	147	PCV-2-564-08L	25	100
PCV-0-223-10L	49	147	PCV-1-182-10L	49	196	PCV-2-684-01L	49	245

Coilcraft[®]

Specifications subject to change without notice.
Please check our website for latest information.

Document 135-4 Revised 04/07/11

1102 Silver Lake Road Cary, Illinois 60013 Phone 847/639-6400 Fax 847/639-1469

E-mail info@coilcraft.com Web <http://www.coilcraft.com>